

FireLock® Ball Valve

SERIES 728



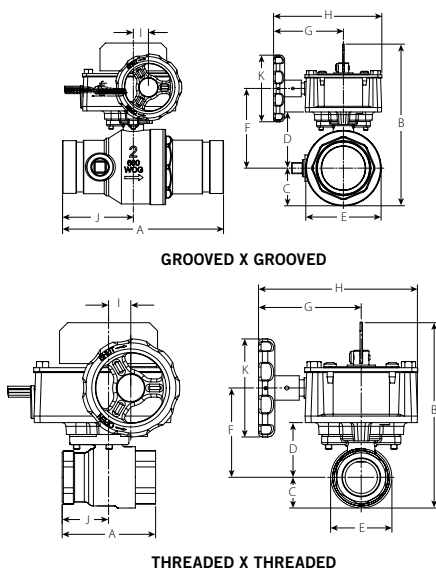



 SEE VICTAULIC PUBLICATION 10.01 FOR DETAILS

The Series 728 FireLock valve is a full port, ball valve that is UL/FM rated for 365psi/25 BAR service in all sizes (LPCB and VdS listed for 20 BAR services). Available with grooved or threaded ends (NPT), the valve body is brass. The ball is chrome plated brass with a stainless steel stem. Reinforced seats aid ease of operation and provide a durable, corrosion-free seat. Flow characteristics exceed UL Specification 1091 and FM Approval Standard 1112. The valve is approved for indoor and outdoor use.



DIMENSIONS



Size	Dimensions – Inches/mm											Approx. Wgt. Each
	Nominal Inches/mm	E to E A	Height B	C	D	E	F	G	H	I	J	
1/25 Thd. X Thd.	2.84 72	4.74 120	0.91 23	1.67 42	1.82 46	2.40 61	3.15 80	4.86 123	0.68 17	1.42 36	3.00 76	5.1 2.3
1 1/4/32 Thd. X Thd.	3.31 84	4.95 126	1.10 28	1.88 48	2.20 56	2.61 66	3.15 80	4.86 123	0.68 17	1.65 42	3.00 76	5.8 2.6
1 1/2/40 Thd. X Thd.	3.66 92	5.13 130	1.29 33	2.06 52	2.58 66	2.79 71	3.15 80	4.86 123	0.68 17	1.83 47	3.00 76	6.6 3.0
2/50 Thd. X Thd.	4.33 110	5.49 140	1.69 43	2.42 62	3.38 86	3.15 80	3.15 80	4.86 123	0.68 17	2.16 55	3.00 76	8.5 3.9
1 1/4/32 Grv. X Grv.	7.25 184	4.95 126	1.10 28	1.87 48	2.20 56	2.61 66	3.15 80	4.86 123	0.68 17	3.19 81	3.00 76	7.5 3.4
1 1/2/40 Grv. X Grv.*	7.25 184	5.17 131	1.29 33	2.10 53	2.58 66	2.83 72	3.15 80	4.86 123	0.68 17	3.19 81	3.00 76	8.5 3.9
2/50 Grv. X Grv.*	7.25 184	5.47 139	1.69 43	2.40 61	3.38 86	3.13 80	3.15 80	4.86 123	0.68 17	3.19 81	3.00 76	10.5 4.8

* 1 1/2 and 2" /40 and 50mm sizes feature a 1/2" /12mm tap (Groove by Groove only).

PERFORMANCE

SIZE Nominal Inches/mm	Equivalent Feet/meters of Pipe	SIZE Nominal Inches/mm	Equivalent Feet/meters of Pipe
1/25 Thread X Thread	0.5 0.2	1 1/4/32 Groove X Groove	0.7 0.2
1 1/4/32 Thread X Thread	1.0 0.3	1 1/2/40 Groove X Groove	0.7 0.2
1 1/2/40 Thread X Thread	1.0 0.3	2/50 Groove X Groove	0.7 0.2
2/50 Thread X Thread	1.0 0.3		

JOB/OWNER

System No. _____
Location _____

CONTRACTOR

Submitted By _____
Date _____

ENGINEER

Spec Sect _____ Para _____
Approved _____
Date _____

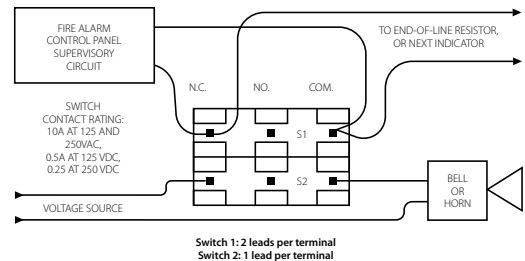
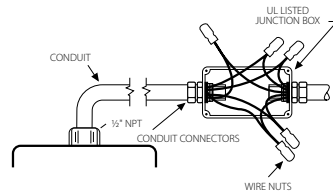
FireLock® Ball Valve

SERIES 728

SWITCH AND WIRING

1. The supervisory switch contains two single pole, double throw, pre-wired switches.
2. Switches are rated:
 - 10 amps @ 125 or 250 VAC/60 Hz
 - 0.50 amps @ 125 VDC
 - 0.25 amps @ 250 VDC
3. **Switches supervise the valve in the “OPEN” position.**
4. One switch has two #18 insulated wires per terminal, which permit complete supervision of leads (refer to diagrams and notes below). The second switch has one #18 insulated wire per terminal. This double circuit provides flexibility to operate two electrical devices at separate locations, such as an indicating light and an audible alarm, in the area that the valve is installed.
5. A #14 insulated ground lead (green) is provided.
 - Switch #1 = S1 For connection to the supervisory circuit of a UL Listed alarm control panel
 - Switch #2 = S2 Auxiliary switch that may be connected to auxiliary devices, per the authority having jurisdiction

- | | | |
|----|---|--|
| S1 | { | <ul style="list-style-type: none"> Normally Closed: (2) Blue Common: (2) Yellow |
| S2 | { | <ul style="list-style-type: none"> Normally Closed: Blue with Orange Stripe Normally Open: Brown with Orange Stripe Common: Yellow with Orange Stripe |



NOTE: The above diagram shows a connection between the common terminal (yellow – S1 and yellow-with-orange stripe – S2) and the normally closed terminal (blue – S1 and blue-with-orange stripe – S2). In this example, the indicator light and alarm will stay on until the valve is fully open. When the valve is fully open, the indicator light and alarm will go out. Cap off any unused wires (e.g. brown with orange stripe).

Only S1 (two leads per terminal) may be connected to the fire alarm control panel.

The connection of the alarm switch wiring shall be in accordance with NFPA 72 and the auxiliary switch per NFPA 70 (NEC).

MATERIAL SPECIFICATIONS

- Valve Body:** Brass ASTM B124
- Ball:** Chrome Plated Brass
- Ball Valve Stem:** 316 Stainless Steel
- Seat:** Carbon Filled (TFE) tetrafluoroethylene
- Stem Nut:** Brass ASTM B-16 C36000
- Actuator:** Brass traveling nut, on a steel lead screw, in a ductile iron housing

FireLock® Ball Valve

SERIES 728

INSTALLATION

Reference should always be made to the I-100 Victaulic Field Installation Handbook for the product you are installing. Handbooks are included with each shipment of Victaulic products for complete installation and assembly data, and are available in PDF format on our website at www.victaulic.com.

WARRANTY

Refer to the Warranty section of the current Price List or contact Victaulic for details.

NOTE

This product shall be manufactured by Victaulic or to Victaulic specifications. All products to be installed in accordance with current Victaulic installation/assembly instructions. Victaulic reserves the right to change product specifications, designs and standard equipment without notice and without incurring obligations.

For complete contact information, visit www.victaulic.com

10.17 2226 REV H UPDATED 05/2011

VICTAULIC IS A REGISTERED TRADEMARK OF VICTAULIC COMPANY. © 2011 VICTAULIC COMPANY. ALL RIGHTS RESERVED.

10.17

